

# 2-Port USB HDMI/Audio Cable KVM Switch

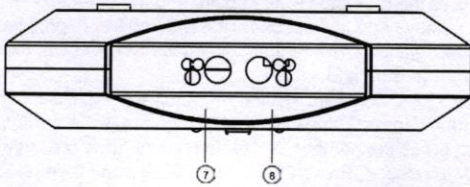
## INTRODUCTION:

2-port USB HDMI/ audio cable KVM Switch shares an HDMI display and has its own cable input terminal.No extra wire is required

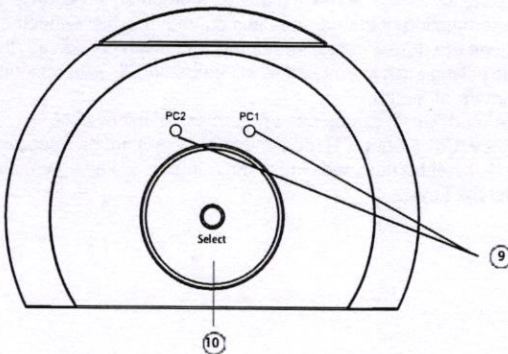
## FEATURES:

- Share an HDTV or display, USB keyboard & mouse between 2 USB/HDMI computers and devices
- Switch between devices via front push button or hotkey
- Supports 4096 X 2160 @ 60HZ (Ycbcr420) and PC's UXGA 1920x1200 resolutions
- Supports Dolby True HD and DTS HD Master Audio formats
- HDMI2.0 & HDCP compliant
- All 2 input ports and 1 output port support HDMI2.0 data rate up to 6Gb/s
- The product input end comes with wire
- Multiplatform support – Windows, Mac, Linux

- ① USB Mouse Port: Connect to USB mouse devices
- ② USB Keyboard Port: Connect to USB keyboard devices
- ③ HDMI Output: Connect to HDMI Display
- ④ Audio out: Connect to earphone
- ⑤ MIC: Connect to microphone
- ⑥ Power Jack: Connect to the included power adapter



- ⑦ PC2 Connectors: Connect to source device's
- ⑧ PC1 Connectors: Connect to source device's

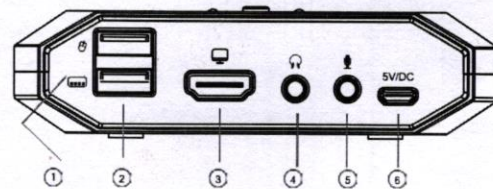


- ⑨ Port LED: Indicate which HDMI source is selected
- ⑩ Port Select: Switch between the HDMI sources

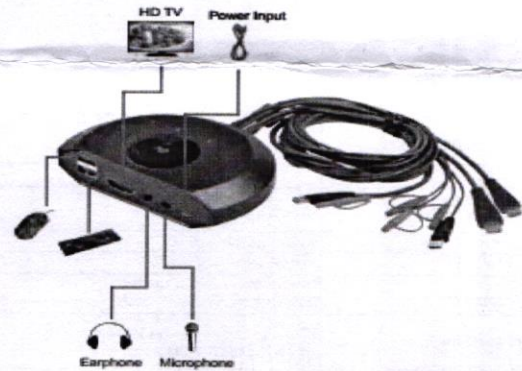
## HARDWARE INSTALLATION:

1. Power off all devices you plan to connect to the 2x1 USB HDMI KVMSwitch 4096 X 2160 @ 60HZ.
2. Connect a monitor/display to HDMI OUTPUT of the switch by an HDMI cable.
3. Connect a USB keyboard and a USB mouse to USB keyboard and Mouse Ports of the switch.
4. Connect the computer's HDMI connector to the switch's INPUT 1 connector
5. Connect the computer's USB port to the switch's PC1 connector .
6. For the second computer, follow steps 4 to 5 to connect the preferred system/device to INPUT 2 and PC2.
7. Connect the power adapter into the switch's Power Jack.
8. Power up the first computer/device and wait until it is fully booted up.Make sure the keyboard and mouse work properly.
9. Once the first computer system is successfully setup, press the Switchbutton and power up the second computer/device to verify the setup properly.

## PANEL DESCRIPTIONS:



## CONNECTION DIAGRAM:



## HOTKEY:

### Scroll:

The Switch can respond to several hotkey commands. The basic form of the hotkey command is to tap the SCROLL LOCK key twice, then tap the command key(s). The following table shows the various hotkey commands that can be performed.

| Command                               | Function   |
|---------------------------------------|--|
| [Scroll] ++ [Scroll] + [- or  ] [*]   | PC Switch to next PC   |
| [Scroll] ++ [Scroll] + [+ or /]       | PC Switch to previous PC   |
| [Scroll] ++ [Scroll] + [B]            | Turn the beep sound on or off.   |
| [Scroll] ++ [Scroll] + [S]            | Turn polling switching function on or off<br>The default switching time interval is 5 seconds (press [Esc] exit) |
| [Scroll] ++ [Scroll] + [S] + [n] [*]2 | Set the polling switchover interval<br>effective range 5-999S.   |
| [Scroll] ++ [Scroll] + [K]            | Turn hotkey on or off  |
| [Scroll] ++ [Scroll] + [R]            | Reboot the KVM switch  |
| [Scroll] ++ [Scroll] + [ESC]          | Restore Factory Default  |
| [Scroll] ++ [Scroll] + [N]            | View the firmware version and display the version number with a flashing indicator                               |
| [Scroll] ++ [Scroll] + [T] [*]3       | Turn Auto-Detection on or off  |
| [Scroll] ++ [Scroll] + [F12]          | Enable/disable mouse cursor across screen  |
| [Scroll] ++ [Scroll] + [Caps]         | Switch to [Caps] hot key mode  |
| [Scroll] ++ [Scroll] + [Num]          | Switch to [Num] hot key mode   |
| [Scroll] ++ [Scroll] + [ctrl]         | Switch to [ctrl] hot key mode  |

Caps:

| Command                      | Function  |
|------------------------------|---|
| [Caps] ++ [Caps] + [←or↓]    | PC Switch to next PC  |
| [Caps] ++ [Caps] + [→or↑]    | PC Switch to previous PC  |
| [Caps] ++ [Caps] + [B]       | Turn the beep sound on or off.  |
| [Caps] ++ [Caps] + [S]       | Turn polling switching function on or off.<br>The default switching time interval is 5 seconds (press [Esc] exit) |
| [Caps] ++ [Caps] + [S] + [n] | Set the polling switchover interval<br>effective range 5-999S.  |
| [Caps] ++ [Caps] + [K]       | Turn hotkey on or off   |
| [Caps] ++ [Caps] + [R]       | Reboot the KVM switch   |
| [Caps] ++ [Caps] + [ESC]     | Restore Factory Default   |
| [Caps] ++ [Caps] + [N]       | View the firmware version and display the version number<br>with a flashing indicator                             |
| [Caps] ++ [Caps] + [T]       | Turn Auto-Detection on or off   |
| [Caps] ++ [Caps] + [F12]     | Enable/disable<br>mouse cursor across screen  |
| [Caps] ++ [Caps] + [Scroll]  | Switch to [Scroll] hot key mode   |
| [Caps] ++ [Caps] + [Num]     | Switch to [Num] hot key mode  |
| [Caps] ++ [Caps] + [Ctrl]    | Switch to [Ctrl+Shift] hot key mode   |

Num:

| Command                    | Function  | 5 |
|----------------------------|---|---|
| [Num] ++ [Num] + [←or↓]    | PC Switch to next PC  |   |
| [Num] ++ [Num] + [→or↑]    | PC Switch to previous PC  |   |
| [Num] ++ [Num] + [B]       | Turn the beep sound on or off.  |   |
| [Num] ++ [Num] + [S]       | Turn polling switching function on or off.<br>The default switching time interval is 5 seconds (press [Esc] exit) |   |
| [Num] ++ [Num] + [S] + [n] | Set the polling switchover interval<br>effective range 5-999S.  |   |
| [Num] ++ [Num] + [K]       | Turn hotkey on or off   |   |
| [Num] ++ [Num] + [R]       | Reboot the KVM switch   |   |
| [Num] ++ [Num] + [ESC]     | Restore Factory Default   |   |
| [Num] ++ [Num] + [N]       | View the firmware version and display the version number<br>with a flashing indicator                             |   |
| [Num] ++ [Num] + [T]       | Turn Auto-Detection on or off   |   |
| [Num] ++ [Num] + [F12]     | Enable/disable<br>mouse cursor across screen  |   |
| [Num] ++ [Num] + [Scroll]  | Switch to [Scroll] hot key mode   |   |
| [Num] ++ [Num] + [Caps]    | Switch to [Caps] hot key mode   |   |
| [Num] ++ [Num] + [Ctrl]    | Switch to [Ctrl+Shift] hot key mode   |   |

5

6

Ctrl+Shift:

| Command                                      | Function  |
|--|---|
| [Ctrl] ++ [Ctrl] or<br>[Ctrl + Shift + ←or↓] | PC Switch to next PC  |
| [Ctrl + Shift + →or↑]                        | PC Switch to previous PC  |
| [Ctrl + Shift + B]                           | Turn the beep sound on or off.  |
| [Ctrl + Shift + S]                           | Turn polling switching function on or off.<br>The default switching time interval is 5 seconds (press [Esc] exit) |
| [Ctrl + Shift + S + n]                       | Set the polling switchover interval<br>effective range 5-999S.  |
| [Ctrl + Shift + K]                           | Turn hotkey on or off   |
| [Ctrl + Shift + R]                           | Reboot the KVM switch   |
| [Ctrl + Shift + ESC]                         | Restore Factory Default   |
| [Ctrl + Shift + N]                           | View the firmware version and display the version number<br>with a flashing indicator                             |
| [Ctrl + Shift + T]                           | Turn Auto-Detection on or off   |
| [Ctrl + Shift + F12]                         | Enable/disable<br>mouse cursor across screen  |
| [Ctrl + Shift + Scroll]                      | Switch to [Scroll] hot key mode   |
| [Ctrl + Shift + Caps]                        | Switch to [Caps] hot key mode   |
| [Ctrl + Shift + Num]                         | Switch to [Num] hot key mode  |

Note:

[\*1] : "++" means quickly and continuously press the Scroll key 2 times, [Scroll] ++ [Scroll] + [1] means quickly and continuously press the Scroll key 2 times, Press the numeric "1" key again, and the detection timeout between each hotkey code is 2 seconds. If the Scroll key is pressed for the first time, press it again after more than 2 seconds Scroll down, then this hotkey combination is invalid.

[\*2] : "N" can be 1 /2 /3 numbers, "Scroll ++ Scroll + S + 1 + 2 + 0" means fast and continuous press 2 times Scroll key, then press the number "S" key to release, then press the number "1" key to release, then press the number "2" key to release, Press the number "0" key and then release, and set the polling time interval to 120 seconds.

[\*3] : When the automatic detection function is turned on, CH9374B will automatically detect the computer USB interface connection and carry out intelligent switch. If a new computer's USB connection is detected, it will automatically switch to the newly connected computer. If the enabled computer is detected If the USB connection is disconnected, it will automatically switch to the next connected computer, if it detects that the USB connection of the non-enabled computer is disconnected Connections are not switched. If automatic detection is enabled, then automatic polling scan is enabled, it will automatically skip unconnected USB The computer of mouth.

[\*4] : "Ctrl" and "Shift" can be used regardless of left or right.

[\*5] : Hotkey [Ctrl + Shift + 1] means that "Ctrl" will not be released, and "Shift" will not be released. Press the number "1" key again, and then release all the keys.

7

8